

# QUIETPIPE™

## Acoustic Insulation for Waste Pipes

### PRODUCT DESCRIPTION AND TYPICAL APPLICATIONS

Insulation Solutions™ *QuietPipe* is recommended for reducing noise generated by rainwater, soil or waste pipes. *QuietPipe* is typically used to wrap PVC or metal pipes in residential or multi-residential buildings, as well as in commercial buildings such as Cinemas, Auditoriums and Concert Halls. *QuietPipe* is a composite of 25mm thick Glass Wool Blanket, Loaded Vinyl Sheeting and Reflective Foil, laminated together to form a roll or sheet product. **The Building Code**

**of Australia (Part F5) stipulates that the required sound insulation performance of floors and walls in Class 2 and 3 multi-residential buildings is not to be adversely affected by pipe or services penetrations.** *QuietPipe* decreases the transmission of incidental sound generated by these elements, so that compliance with the BCA can be achieved using conventional construction techniques, including the use of acoustic insulation where necessary.

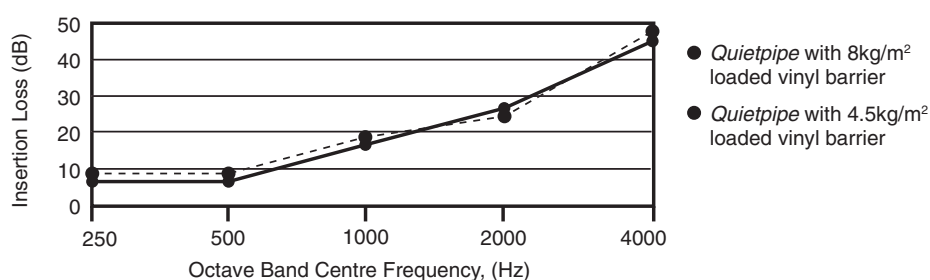
### EARLY FIRE HAZARD RATING

When tested in accordance with AS1530 Part 3 "Early Fire Hazard Properties of Materials Test" *QuietPipe* exhibits the following characteristics:

Ignitability Index	0
Spread of Flame Index	0
Heat Evolved Index	0
Smoke Developed Index	0-1

### PIPE NOISE REDUCTION

Overall Noise Reduction 29dB\*



\*Tests conducted by VIPAC ENGINEERS, S.A., to A.S. 1217.2 for Insertion Loss between 100Hz and 10,000Hz.

Note: These results were achieved under test conditions. Actual ratings achieved will be dependent on site conditions.

Test report available on request

### PRODUCT SIZES

Product	Size	Nominal Thickness	Product code
4.5kg <i>QuietPipe</i> rolls	5000 x 1200mm	28mm	QP512
8kg <i>QuietPipe</i> rolls	5000 x 1200mm	30mm	QP825512
<i>QuietPipe</i> cut to length	1350 x 530mm	28mm	QPCTL13553

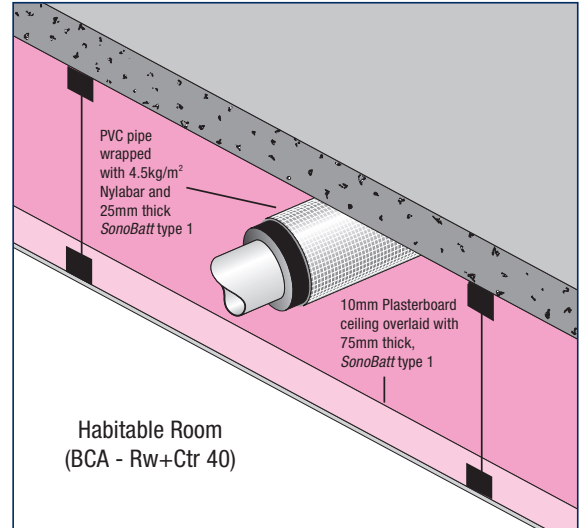
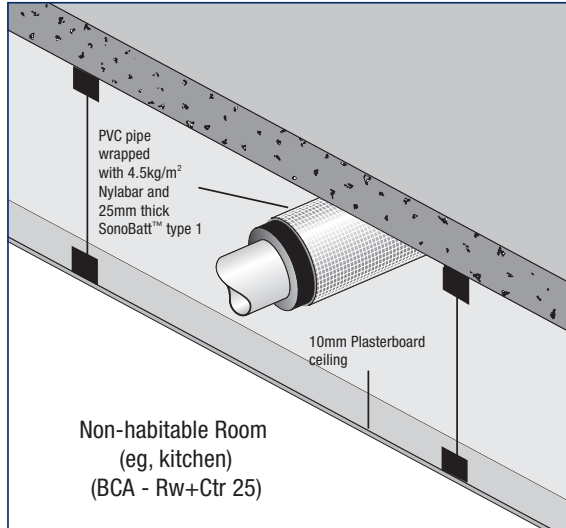
\*Other sizes (including shapes for pipe bends, tees, elbows, etc.) can be fabricated to order.

### INSTALLATION

*QuietPipe* sections can be cut from rolls to fit the required pipe diameter, or the cut to length sheet size (see above) can be applied directly to the pipe. The cut to length sheet is made to fit 100mm PVC waste pipe. All butt joints must be taped. Pressure sensitive foil tapes are recommended, such as Vapastop™ 883 Tape from *Insulation Solutions* or 493 Tape from Precision Paper Coaters. Tapes must be a minimum

of 48mm in width, and preferably 72mm wide. As well as taping all longitudinal and circumferential joints, it is recommended that a band of tape be applied midway along each section to overcome sagging, and to ensure *QuietPipe* is held in close contact with the pipe. *QuietPipe* is easily cut with a Stanley Knife or similar.

## SPECIFIC APPLICATION AND PERFORMANCE



Section F5 of the BCA requires that the acoustic performance of walls and ceilings in multi-residential buildings are not adversely affected by waste pipes running through them. The code recognises the common problem of noise intrusion from waste pipes and specifies minimum standards of noise separation between such pipes and habitable room spaces (bedrooms, lounges, dining and family rooms)

and non habitable rooms (bathrooms, kitchens, and laundries). These noise control requirements can be onerous and can be difficult to achieve if building works are used alone. A common approach to reduce the building works component is to clad the waste piping externally with an appropriate noise reducing treatment, such as *QuietPipe*.

## SPECIFICATION NOTES

**State:** Company name, product name and facing density: eg: *Insulation Solutions 8kg QuietPipe*.

**State elements to be insulated:** eg: "Acoustically insulate all sewer and rainwater pipe installed behind internal wall and ceiling linings".

## BIO-SOLUBILITY

The fibre used in this product is FBS-1 Bio-Soluble Glass Wool™ Insulation. This means that it dissolves in bodily fluids and is quickly cleared from the lungs. It complies with the test of short term

biopersistence in Note Q of [NOHSC: 10005 (1999)]. *Glass Wool* is classified as safe to use.



## SUSTAINABILITY

Sustainability...measures that satisfy the needs of people today while enhancing the quality of life for future generations.

The demands on non-renewable resources for the production of energy are not sustainable without compromising the environment. Insulation, correctly specified and installed, is one of the most

beneficial products available for improving energy efficiency and reducing the levels of greenhouse gas emissions.

*Insulation Solutions* is committed to providing environmentally sustainable products and utilises up to 70% recycled waste glass in the production of *Glass Wool* Insulation.